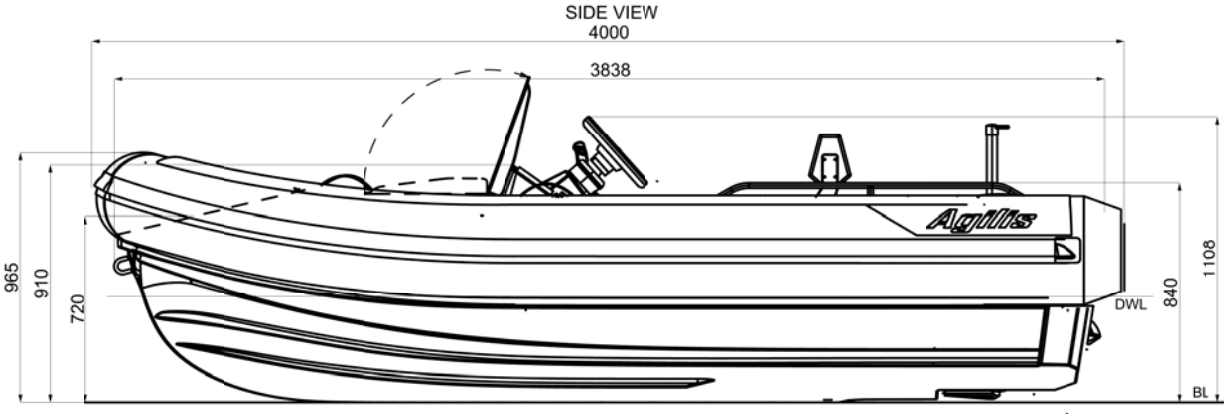
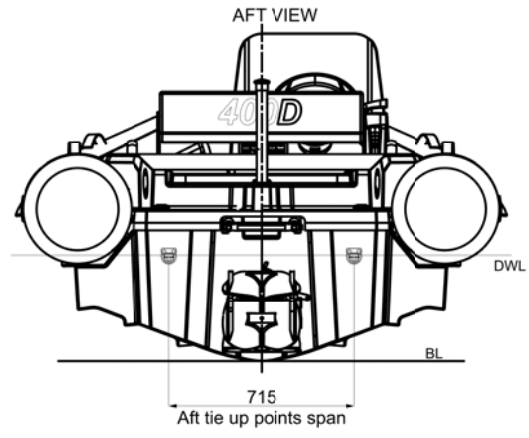
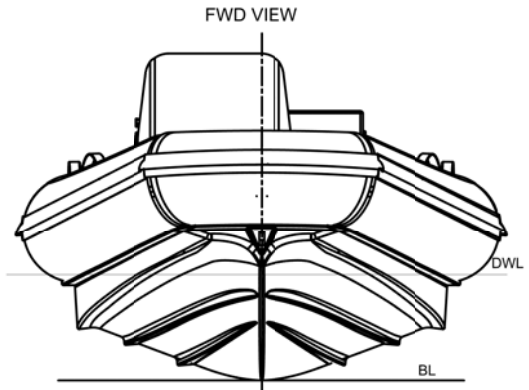
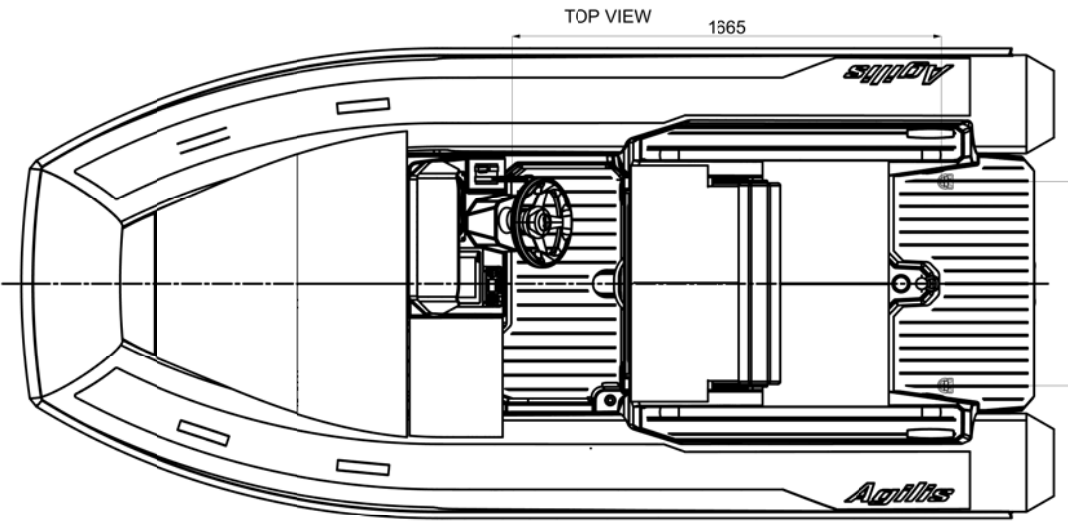
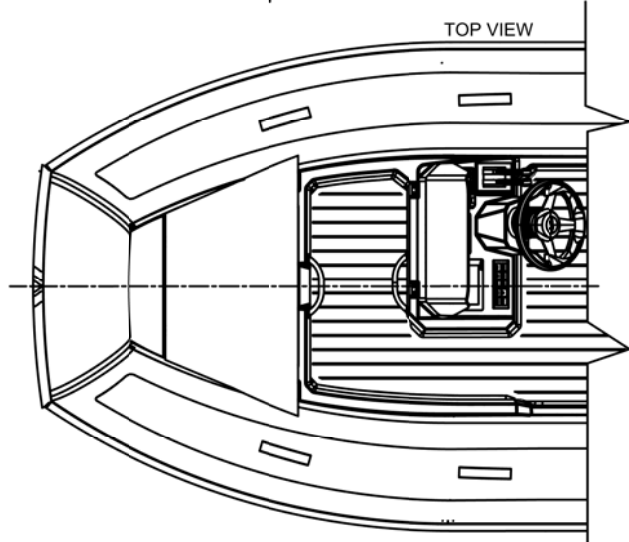
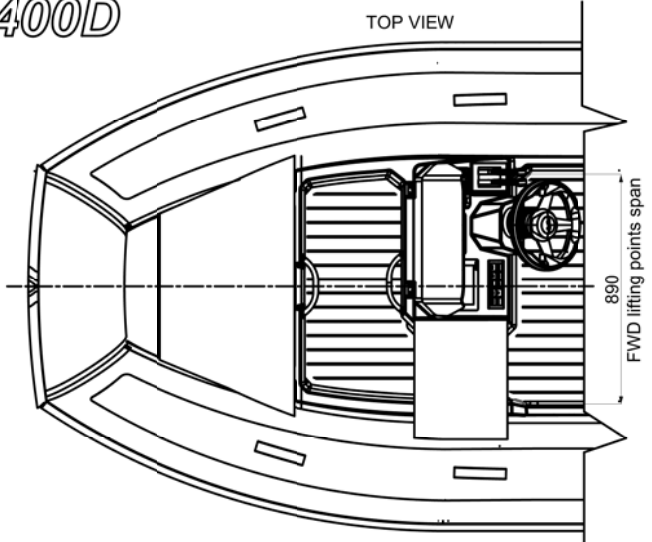


AT400D



- Technical data:**
- 1.Length Overall:.....3.95 m, +/-1%
 - 2.Beam Overall:.....1.77 m, +/-1%
 - 3.Seating capacity:.....7
 4. Empty craft mass:.....625 kg
 5. Maximum load:.....630 kg (fuel excluded)
 6. Maximum speed, V = 35 knots
 7. CE Design Category "C"
 - 8.Engine: FNM DESEL (110 HP/81 kW)
 9. Propulsion: Jet drive
 10. Fuel tank capacity:60 L, diesel
 - 12.No. of tube Compartments:..... 4

UNLESS OTHERWISE SPECIFIED: FINISH: DIMENSIONS ARE IN MILLIMETERS SURFACE FINISH: TOLERANCES: LINEAR: ANGULAR:		DEBURR AND BREAK SHARP EDGES		DO NOT SCALE DRAWING		REVISION	
DRAWING TITLE: AT400D - General Arrangement				This drawing is the property of Agilis Jet Tenders GmbH Lohndorfer 2/ 52429 Jülich. This information must not be reproduced, distributed, or used for any purpose other than in connection with the boat or design for which it was drawn, without the owner's written consent.			
NAME	SIGNATURE	DATE		DWG NO.	AT400D-000-001		A2
DRW:				SCALE:	1:20		SHEET 1 OF 1
CHKD:				WEIGHT:			
APPV:							
MFG:							
Q.A.							