

Agilis
J E T T E N D E R S

CATALOG 2024/25

AGILIS JETTENDERS FEATURES

Agilis
JET TENDERS

CUSTOM

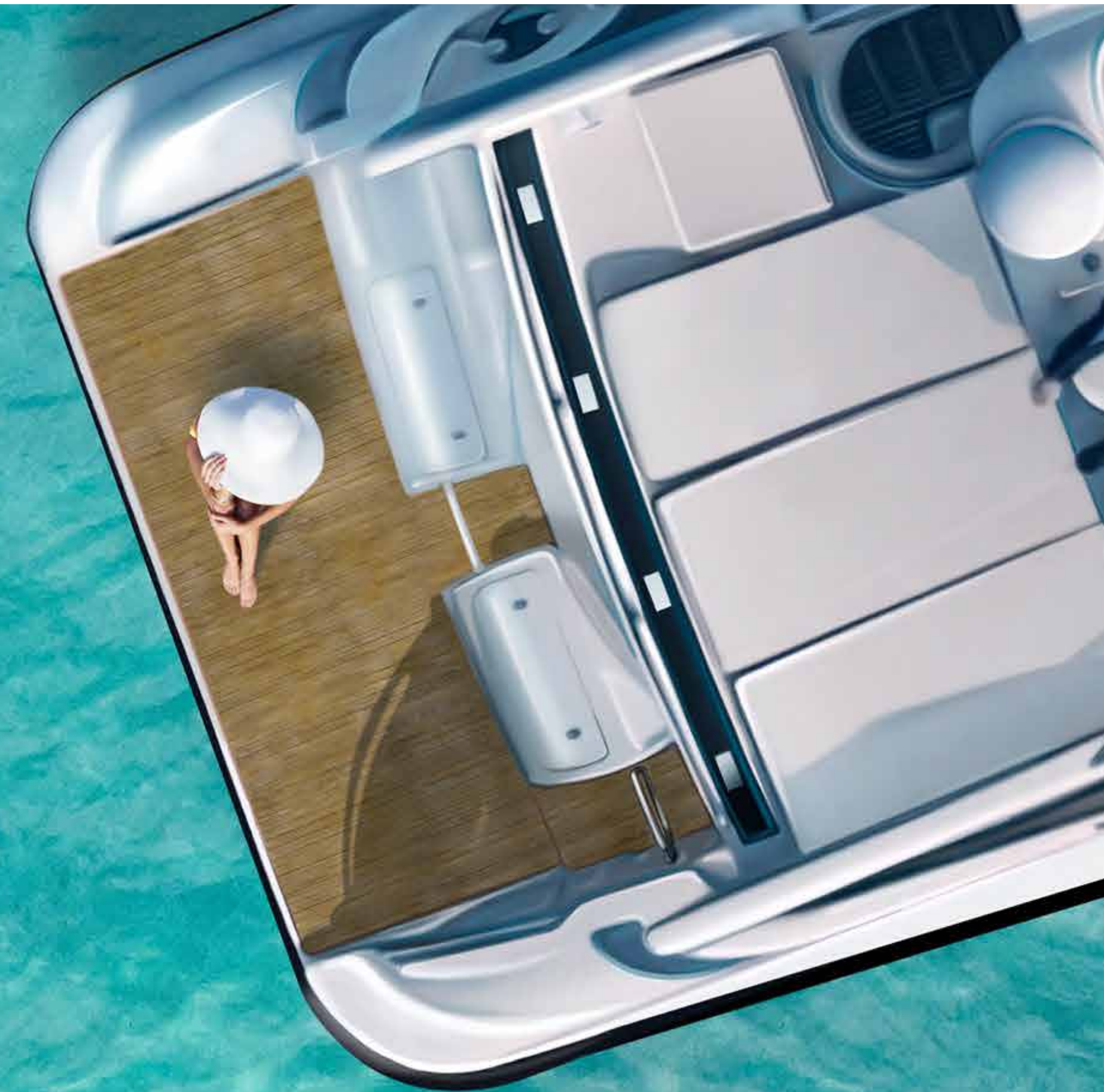
Agilis tenders can be customized because deck, hull, inserts colors and technical equipment are variable and may be combined. Your tender will fit your needs and your yacht design.

LUXURY

Luxury materials and technical solutions adhere to highest yachting standards. Steering wheel, dashboard, electronic reverse system, teak deck, ORCA fabric as well as dozens of other details are designed to accompany the first-class yachts.

JET

Modern jet engines without external propellers as well as Agilis light hulls grant speed, stability and safety.





280

LEARN MORE



305C

LEARN MORE



330C

LEARN MORE



355C

LEARN MORE



360D

LEARN MORE



400C

LEARN MORE





400D

LEARN MORE



500D

LEARN MORE



560D

LEARN MORE



Coming soon



Coming soon

Agilis
JET TENDERS



We put love and passion into every detail,
crafted with perfect precision



280



AGILIS 280

FITS 38-FOOT OR LONGER YACHTS,
DESIGNED TO CARRY UP TO 3 PASSENGERS

AGILIS 280



 MODELS

Agilis
JET TENDERS



SMALL FORM FACTOR WITHOUT SACRIFICE

When we designed the Agilis 280, our ultimate goal was to design a tender that combined the comfort, power, durability and ease of control of our more spacious options in a compact form factor.

A VERSATILE OPTION

With 2.80m, it is currently the smallest tender, which fits on yachts starting with a length of 38-foot and is designed to carry 3 passengers at a time.

LITTLE BUT FIERCE

The Agilis 280 is equipped with a 903cc Engine, our most compact and economical, yet powerful engine. Designed to deliver reliable and lasting performance, this 60 hp Engine features a closed-loop cooling system that prevents corrosive salt water from entering the interior of the motor.

AGILIS 280

MODELS

Agilis
JET TENDERS



MANEUVERABILITY AND SPORTINESS

Do not be fooled by the size of this model, it still packs a punch, enabling you to engage in water skiing at any time. Furthermore, steering the tender, even with one hand on the handlebar, is seamless thanks to the highly functional design of the tender.

SAFETY

Unlike boats with an outboard engine, the Agilis 280 does not have any reachable moving parts. Hence, leaving the Agilis 280 is a much more safe and relaxed experience.

LIMITLESS PERSONALIZATION

When it comes to customizing your own jet tender, Agilis got you covered. Not only are we providing you with a vast range of high quality materials to choose from, ranging from faux leathers to textiles, you will be able to choose from over 32 million marvellous color combinations. Consequently, we want to make sure that you can make your Agilis 280 fit your style and environment.



AGILIS 280 BESPOKE OPTIONS



CUSTOM COLOURS & MATERIALS



RAYMARINE DRAGONFLY 5 PRO



REMOVEABLE STEERING WHEEL



FLEX TEAK 2G FINISHING



LED DECK LIGHT

MODELS

Agilis
JET TENDERS

*MORE OPTIONS ARE AVAILABLE. PLEASE CONTACT YOUR DEALER FOR FURTHER DETAILS.

AGILIS 280 SPECIFICATIONS

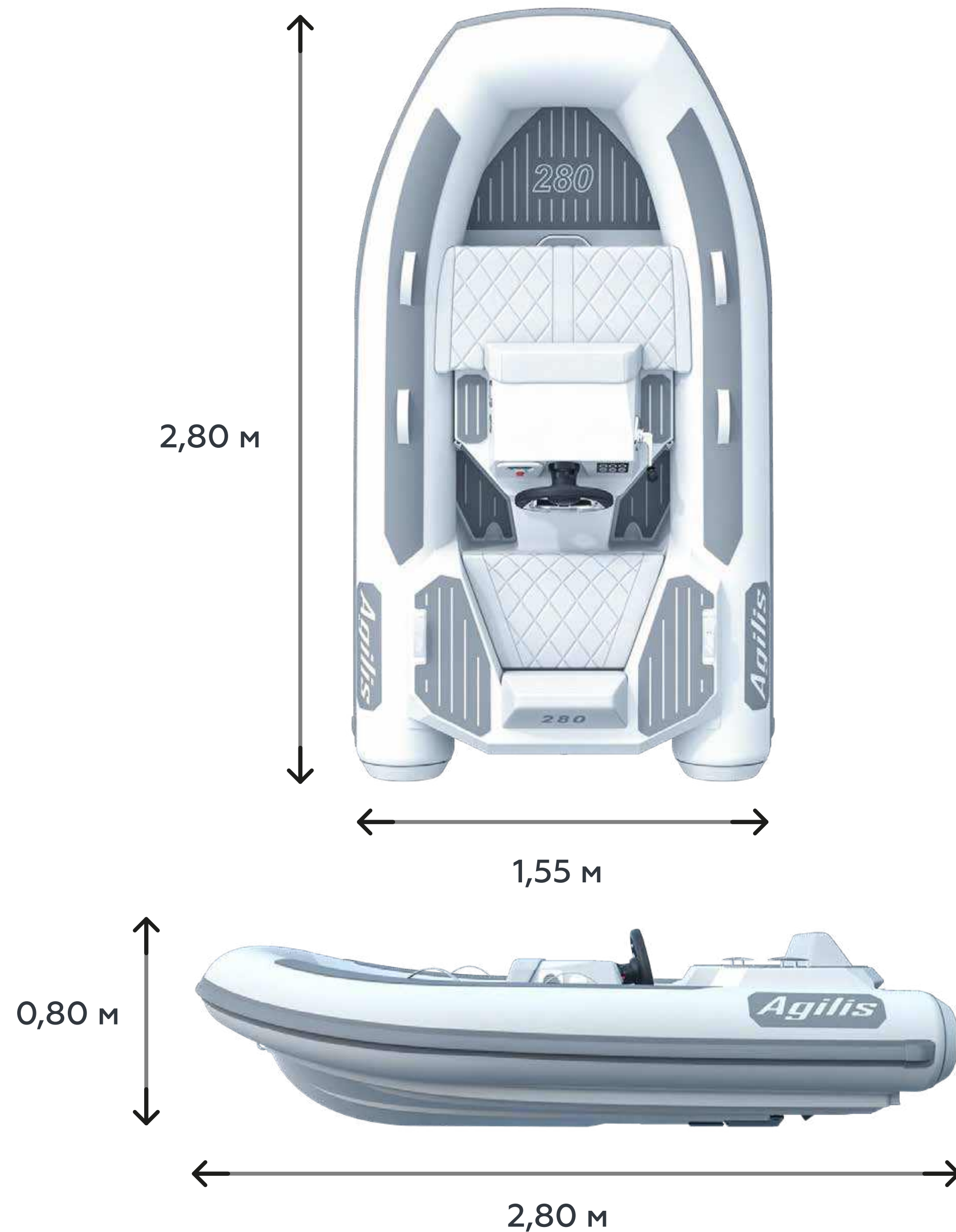
MODELS

Agilis
JET TENDERS

SPECS

	903cc engine
LOA	2,80 m
BEAM	1,55 m
HEIGHT	0,80 m
DRY WEIGHT	215 kg
CAPACITY	3 persons
PERFORMANCE	60 HP/44 KW
TOP SPEED	35 knots (65 km/h)
FUEL TANK	30 L

MORE DETAILS
ON WEBSITE





305C



AGILIS 305C

FITS 42-FOOT OR LONGER YACHTS,
DESIGNED TO CARRY UP TO 4 PASSENGERS

AGILIS 305C



MODELS

Agilis
JET TENDERS

SIZE AND PASSENGERS

Coming in at 3.05m, the Agilis 305C is the second smallest tender in the portfolio. The vessel has no issues carrying 4 people at a time.

ENGINE

The Agilis 305C packs a powerful 90 hp engine, making it a speed demon. The 42-liter fuel tank will last you a while, even when reaching up to 37 knots. Due to the implementation of a special combustion technology, mechanical friction is minimized and significantly better thermodynamic efficiency is achieved, providing remarkable performance. Furthermore, the engine was built with the environment in mind, hence virtually no harmful gases will be emitted by the engine of the Agilis 305C.

AGILITY THROUGH INNOVATION

Through the optional brake system that has been implemented into the Agilis 305C, decelerating even at full speed is no hassle and empowers you to cut the braking distance in half.

AGILIS 305C



MODELS

Agilis
JET TENDERS



IMPROVED MANEUVERABILITY

Due to enhanced maneuverability, steering the tender even in less spacious environments becomes nearly effortless. Hence, parking the boat or operating it within a harbor is made significantly less stressful than it would otherwise be.

BOUNDLESS CUSTOMIZATION

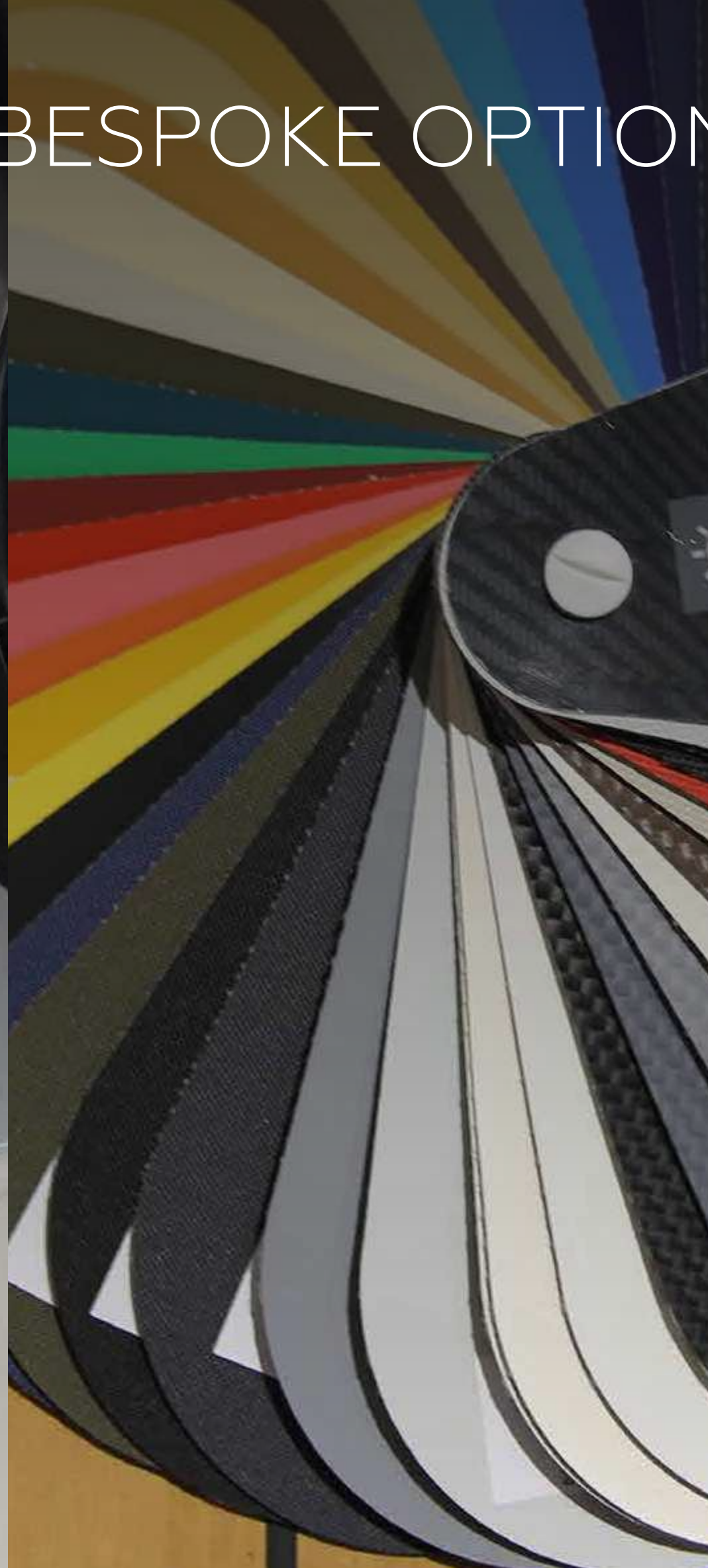
Much like all of Agilis tenders, the Agilis 305C comes with an incredible range of customization options. You are not only able to choose from a comprehensive array of materials such as textiles or faux leather, but you are also free to customize your tender further by choosing from over 32 million stunning color combinations.



AGILIS 305C BESPOKE OPTIONS



FUSION
MS-BB100



CUSTOM COLOURS &
MATERIALS



REMOVEABLE
STEERING WHEEL



FLEX TEAK
2G FINISHING



LED DECK
LIGHT

MODELS

Agilis
JET TENDERS

*MORE OPTIONS ARE AVAILABLE. PLEASE CONTACT YOUR DEALER FOR FURTHER DETAILS.

AGILIS 305C SPECIFICATIONS

MODELS

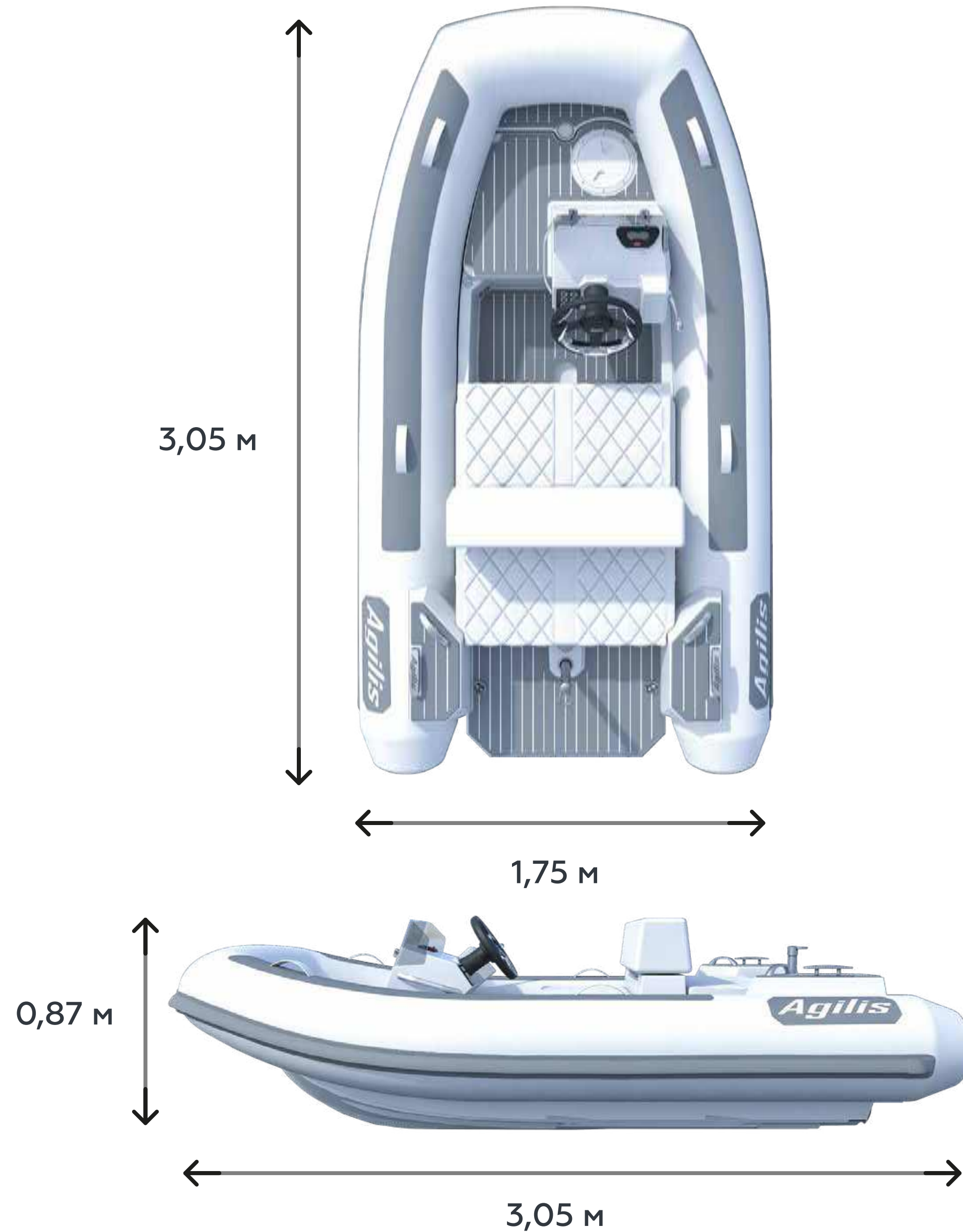
Agilis
JET TENDERS

SPECS

	903cc engine
LOA	3,05 m
BEAM	1,75 m
HEIGHT	0,87* m / 1,20 m
DRY WEIGHT	315 kg
CAPACITY	4 persons
PERFORMANCE	90 HP/66 KW
TOP SPEED	37 knots (69 km/h)
FUEL TANK	42 L

*with folded windshield

MORE DETAILS
ON WEBSITE





330C



AGILIS 330C

FITS 50-FOOT OR LONGER YACHTS,
DESIGNED TO CARRY UP TO 4 PASSENGERS

AGILIS 330C



 MODELS

Agilis
JET TENDERS



SIZE AND PASSENGERS

The Agilis 330C, with its length of 3.30m remains incredibly agile, while being a more spacious option. Even when carrying the maximum amount of 4 passengers, everyone on board will retain a formidable experience as the tender glides over the water with seemingly no effort.

ENGINE

The 90 horsepower engine of the Agilis 330C is a great fit, balancing performance and fuel efficiency, the 55-liter fuel tank will not leave you hanging, even while reaching up to 37 knots.

AGILITY AND SAFETY

Much like the Agilis 305C, this model also features a brake system. Hence, the Agilis 330C is capable of cutting down its braking distance by half, even when going at full speed.

AGILIS 330C



MODELS

Agilis
JET TENDERS



ENHANCED MANEUVERABILITY

Enhanced maneuverability of the Agilis 330C enables you to guide the tender even through a narrow area. Needless to say, parking the boat as well as operating it within a marina is made noticeably easier and greatly enhances your experience with the tender.

LIMITLESS PERSONALIZATION

When it comes to customizing your own jet tender, Agilis got you covered. Not only are we providing you with a vast range of high quality materials to choose from, ranging from faux leathers to textiles, you will be able to choose from over 32 million marvellous color combinations. Consequently, we want to make sure that you can make your Agilis 330C fit your style and environment.



AGILIS 330C BESPOKE OPTIONS

MODELS

Agilis
JET TENDERS



LED DECK LIGHT



RAYMARINE AXIOM 7 CHARTPLOTTER



CUSTOM COLOURS & MATERIALS



CARBON BOARDING POLE



OCEAN LED

*MORE OPTIONS ARE AVAILABLE. PLEASE CONTACT YOUR DEALER FOR FURTHER DETAILS.

AGILIS 330C SPECIFICATIONS

MODELS

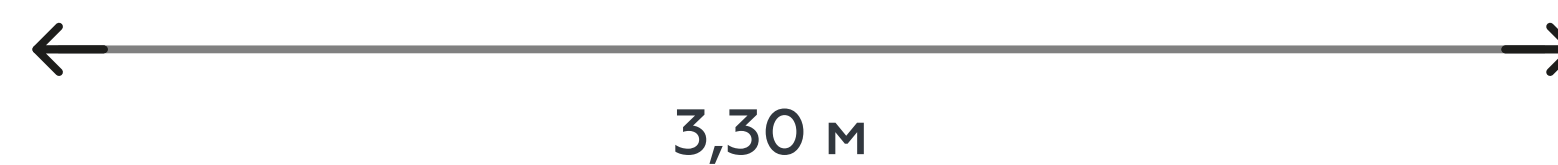
Agilis
JET TENDERS

SPECS

	903cc engine
LOA	3,30 m
BEAM	1,75 m
HEIGHT	0,865* m/1,20 m
DRY WEIGHT	330 kg
CAPACITY	4 persons
PERFORMANCE	90 HP/66 KW
TOP SPEED	37 knots (69 km/h)
FUEL TANK	55 L

*with folded windshield

MORE DETAILS
ON WEBSITE





355C



AGILIS 355C

FITS 62-FOOT OR LONGER YACHTS,
DESIGNED TO CARRY UP TO 6 PASSENGERS

AGILIS 355C



MODELS

Agilis

JET TENDERS



SIZE AND PASSENGERS

The 3.55m long Agilis 355C is truly a sight to behold. The tender is able to carry 6 passengers elegantly through the water.

MODERNIZED AND EFFICIENT DESIGN

When designing the Agilis 355C we set out to combine a new modern, yet elegant look, with a design that does not make any sacrifices in terms of performance. The avant-garde style of the tender will be a great addition to any yacht, no matter whether it has a classic or modern look. In terms of performance, you can expect the tender to handle itself majestically as improved weight distribution does not only improve ease of use, but also makes you feel like you are truly gliding over the water with no effort.

WATERSPORT MADE EASY

A ski pole can be found on the Agilis 355C that enables greatly improved and more comfortable towing. Furthermore, a ski mode feature provides enhanced control while towing by keeping the tender at a consistent speed, granting you refined ease of operation as well as significantly improved safety.



AGILIS 355C

MODELS

Agilis
JET TENDERS



RELAXING OR SPORTY DEPENDING ON YOUR MOOD

The implementation of a trimmable jet pump nozzle allows you to seamlessly adjust the waterflow of the propulsion. Therefore, you are empowered to determine whether you desire a comfortable ride or whether you would like to engage in a more thrilling, sporty experience.

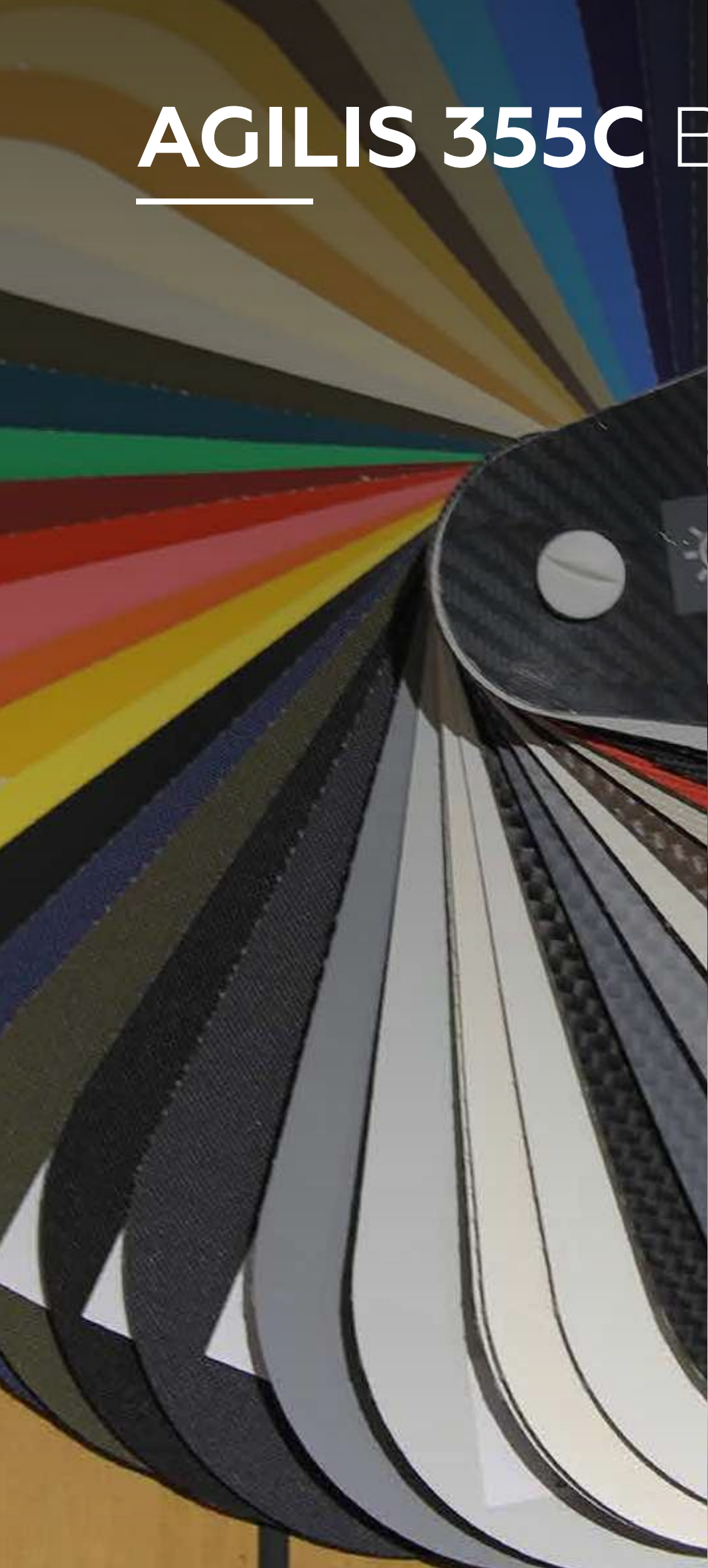
SPACIOUSNESS AND FLEXIBILITY

The tender is equipped with an extended bathing platform, making sure that you can make use of the size of the tender. Additionally, a FOLDABLE backrest can grant even more space for activities such as sunbathing.

CHOICE OF ENGINE

The Agilis 355C provides you with the choice between two engine types. The first being a 90 horsepower engine that is more than capable of getting the job done. However, if you want to take the Agilis 355C to the next level you are able to equip it with a 130 horsepower beast.

AGILIS 355C BESPOKE OPTIONS



CUSTOM COLOURS & MATERIALS



RAYMARINE AXIOM 7 CHARTPLOTTER



FLEX TEAK 2G FINISHING



REMOVEABLE STEERING WHEEL



LED DECK LIGHT

MODELS

Agilis
JET TENDERS

*MORE OPTIONS ARE AVAILABLE. PLEASE CONTACT YOUR DEALER FOR FURTHER DETAILS.

AGILIS 355C SPECIFICATIONS

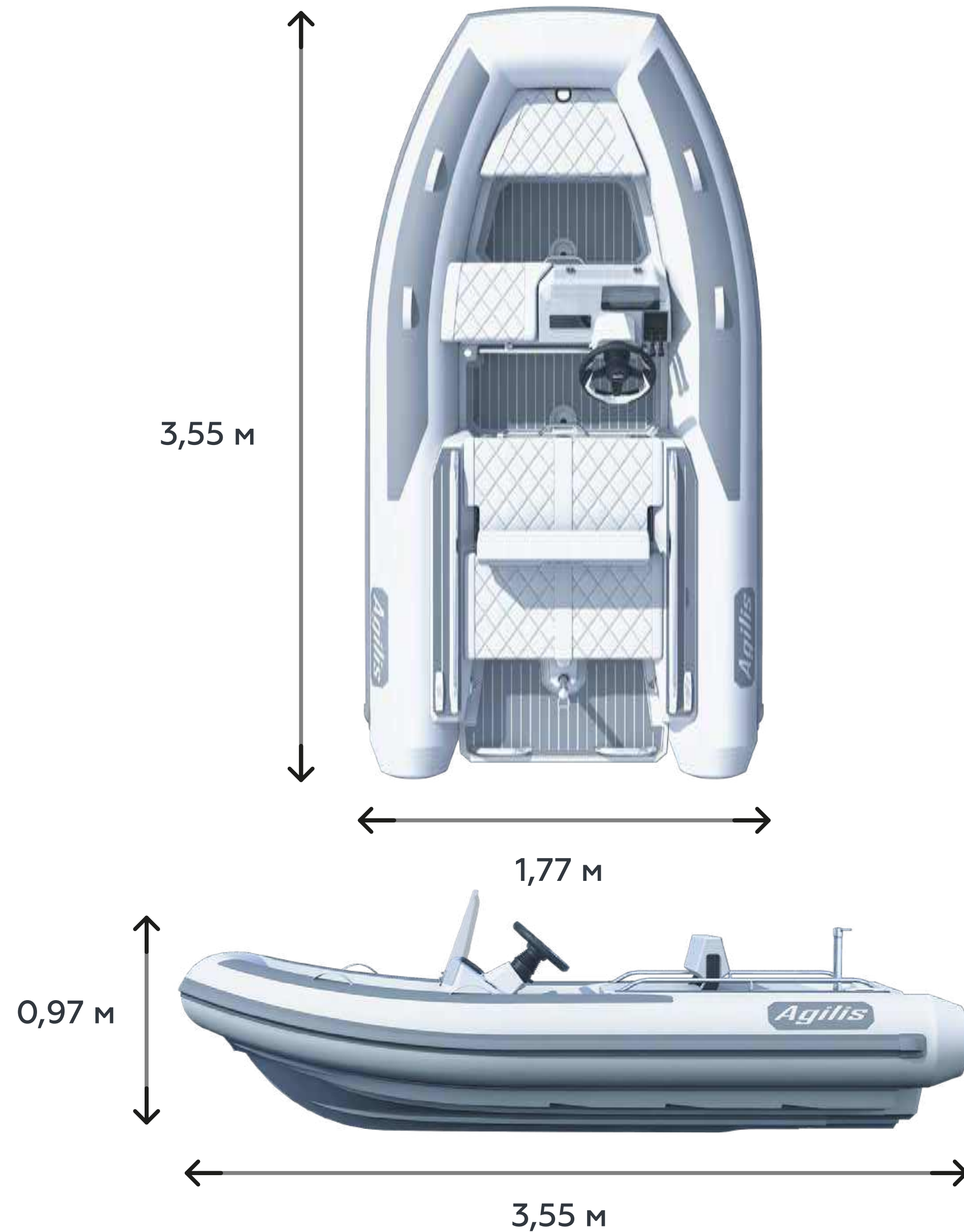
MODELS

Agilis
JET TENDERS

SPECS

	903cc engine	1630cc engine
LOA	3,55 m	3,55 m
BEAM	1,77 m	1,77 m
HEIGHT	0,97* m/1,30 m	0,97* m/1,30 m
DRY WEIGHT	390 kg	420 kg
CAPACITY	6 persons	6 persons
PERFORMANCE	90 HP/66 KW	130 HP/95 KW
TOP SPEED	39 knots (72 km/h)	46 knots (85 km/h)
FUEL TANK	55 L	55 L

*with folded windshield



MORE DETAILS
ON WEBSITE





360D



AGILIS 360D

FITS 62-FOOT OR LONGER YACHTS,
DESIGNED TO CARRY UP TO 6 PASSENGERS

AGILIS 360D



MODELS

Agilis
JET TENDERS



A NEW AND INNOVATIVE OPTION

With a length of 3.60m, the Agilis 360D is capable of carrying 6 passengers without breaking a sweat. It is the newest addition to the Agilis family and much like any other Agilis product, it does not sacrifice any performance for its elegance.

FLEXIBILITY IN NEW FORM

The Agilis 360D is the smallest diesel powered tender. Hence, you receive all of the comfort of a diesel engine, while retaining a compact form factor that even fits on less spacious yachts.

DIESEL ENGINE FOR MORE VERSATILITY

The 110 hp diesel engine that is built into the Agilis 360D provides you more freedom and flexibility. Refilling the tender on board of your yacht enables you to use the Agilis 360D for extended periods of time without the necessity to carry additional petrol.

AGILIS 360D



MODELS

Agilis
JET TENDERS



STATE-OF-THE-ART JET PUMP

Being equipped with a professional heavy duty jet pump, the tender glides over the water even at high speeds with grace and speed. The pump is built to be exceptionally durable so you can enjoy your experiences with the Agilis 360D without worries.

WATERSPORT WITH NO HASSLE

The Agilis 360D is equipped with a ski pole, providing you with very convenient towing capabilities, making it a pleasure to utilize the tender for watersport activities.



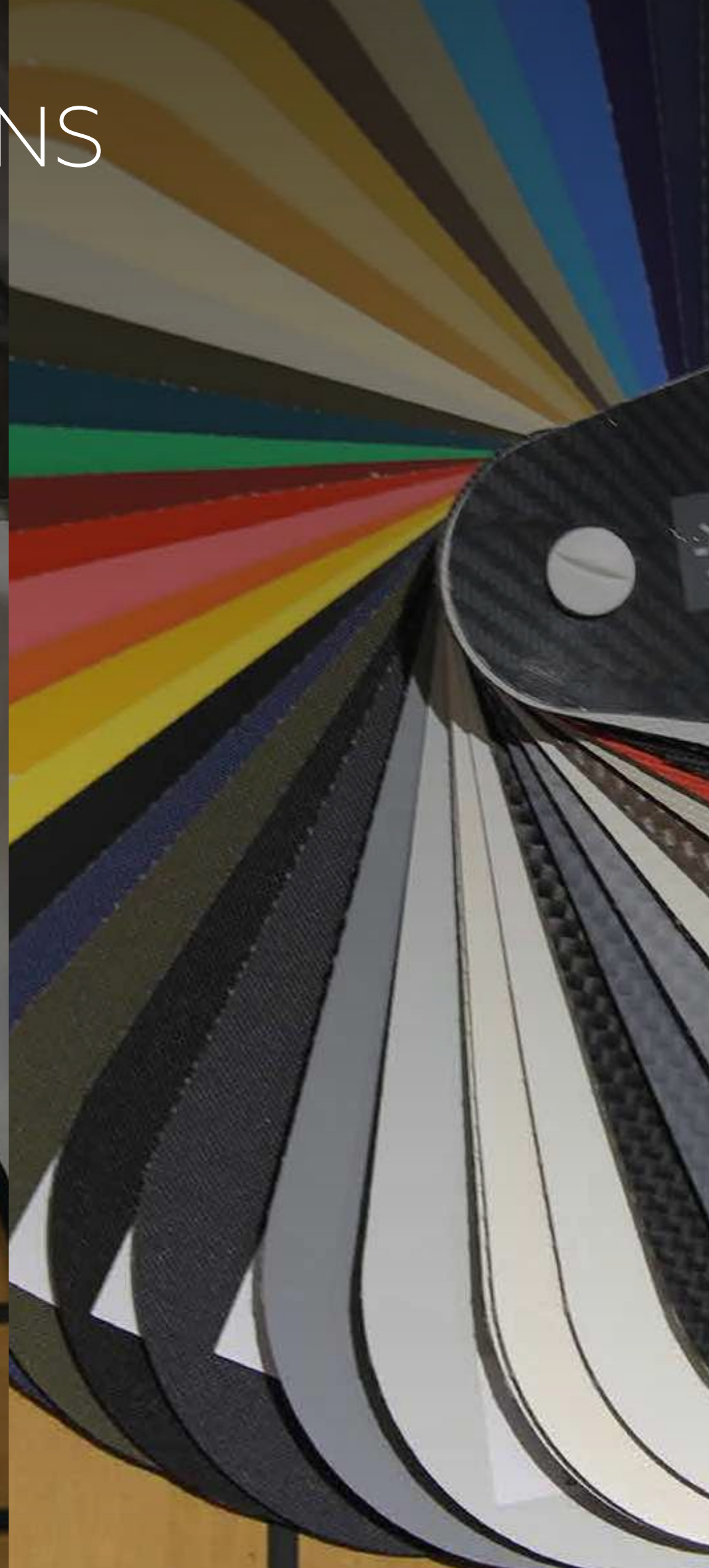
AGILIS 360D BESPOKE OPTIONS



RAYMARINE AXIOM 7
CHARTPLOTTER



LED DECK
LIGHT



CUSTOM COLOURS &
MATERIALS



REMOVEABLE
STEERING WHEEL



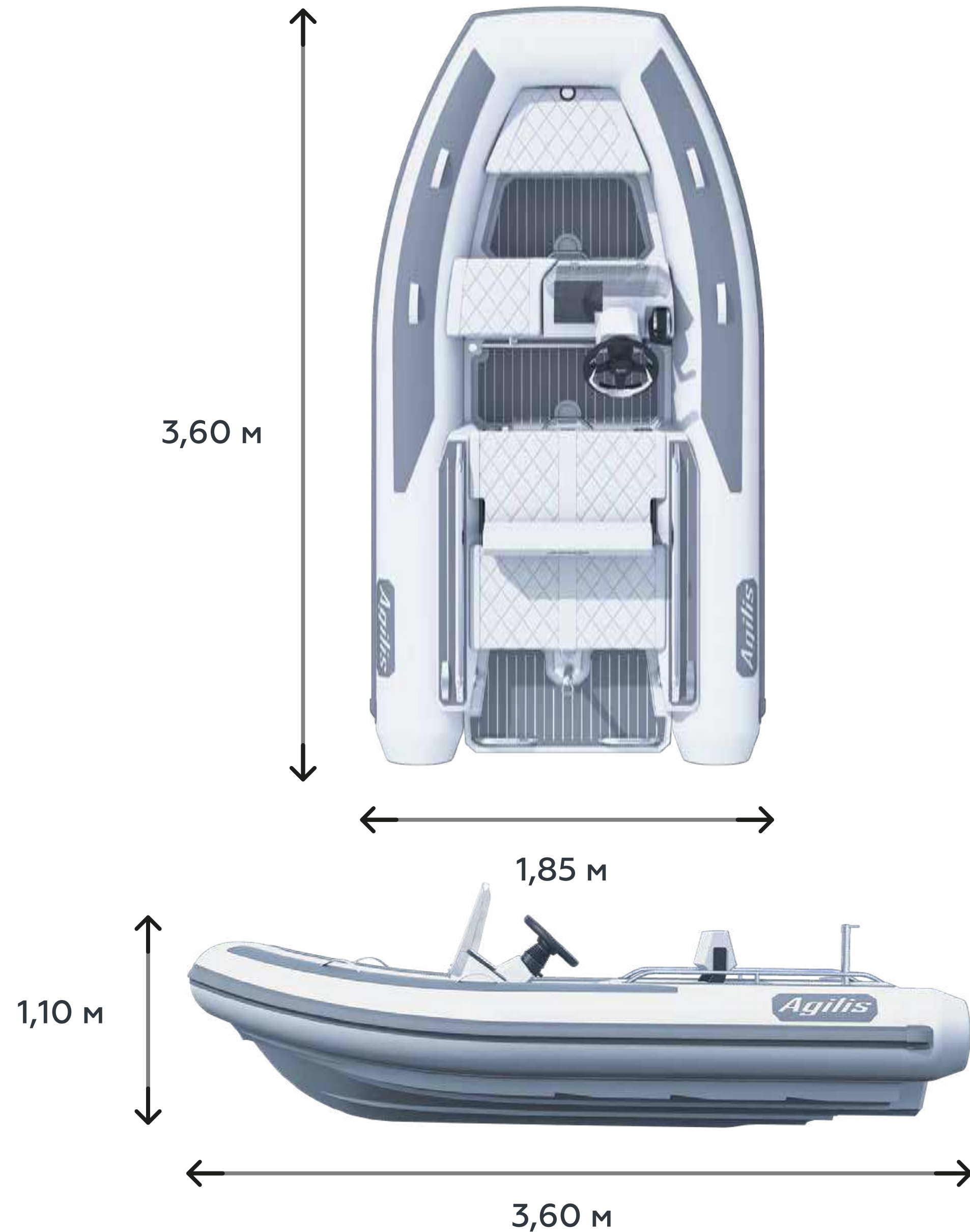
FLEX TEAK
2G FINISHING

MODELS

Agilis
JET TENDERS

*MORE OPTIONS ARE AVAILABLE. PLEASE CONTACT YOUR DEALER FOR FURTHER DETAILS.

AGILIS 360D SPECIFICATIONS



MODELS

Agilis
JET TENDERS

SPECS

	FNM Diesel 1395cc
LOA	3,60 m
BEAM	1,85 m
HEIGHT	1,10* m/1,265 m
DRY WEIGHT	580 kg
CAPACITY	6 persons
PERFORMANCE	110 HP/81 KW
TOP SPEED	35 knots (65 km/h)
FUEL TANK	65 L

*with folded windshield

MORE DETAILS
ON WEBSITE





400C

AGILIS 400C

FITS 65-FOOT OR LONGER YACHTS,
DESIGNED TO CARRY UP TO 7 PASSENGERS

AGILIS 400C



MODELS

Agilis
JET TENDERS



SIZE AND PASSENGERS

Agilis 400C has a length of 4,00 m, which makes it the second largest model in our range. The maximum number of passengers on the board is 7, but by virtue of the luxury materials of the interior and well-thought-out seating arrangement everyone will feel comfortable and will have the experience of the highest level.

ENGINE

Agilis 400C can impress you with high speed, great power and exceptional performance. Its innovative 90-hp engine effortlessly transports 7 passengers even in the high speeds. Agilis 400C accelerates to 35 knots easily and pulls the skier with the wind. This 903cc engine will provide a smooth and comfortable ride for every passenger to every destination.

AGILIS 400C



MODELS

Agilis
JET TENDERS



ELEGANT DESIGN

Streamline design and high performance make a great appearance and feeling impression. Agilis 400C will stay on the water reliably and smoothly, as if it is gliding on the surface. This tender is very agile and flexible, therefore it moves and enters turns easily even with all passengers on board.

EXCEPTIONAL SAFETY

There are no propellers which can harm the swimmers or be damaged while beaching. The jet tender is equipped with an electronic reverse system which allows you to stop sooner, and an automatic fire extinguishing system which is able to detect fire automatically at the earliest stage and extinguish it automatically to ensure your safety.



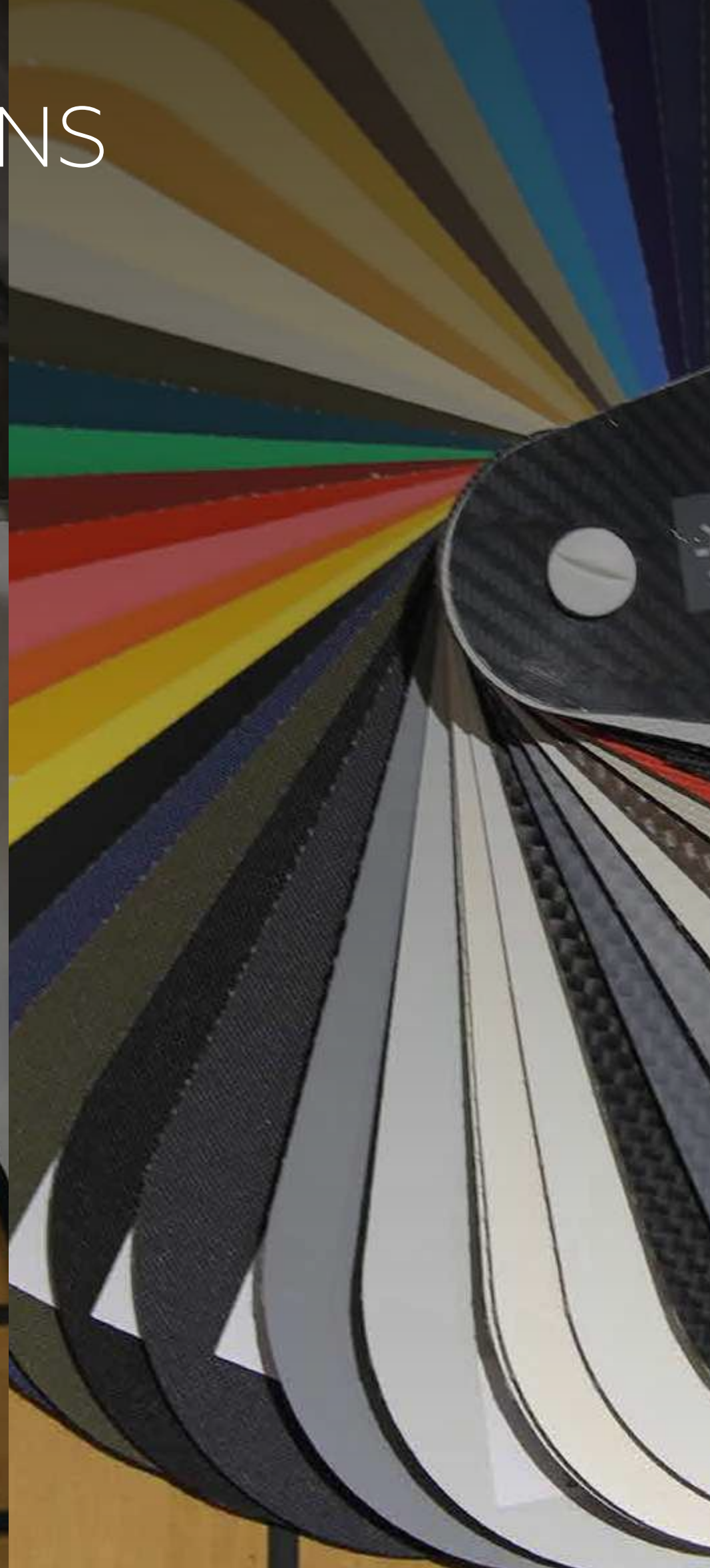
AGILIS 400C BESPOKE OPTIONS



RAYMARINE AXIOM 7
CHARTPLOTTER



LED DECK
LIGHT



CUSTOM COLOURS &
MATERIALS



FRONT CUSHION
EXTENSION



FLEX TEAK
2G FINISHING

*MORE OPTIONS ARE AVAILABLE. PLEASE CONTACT YOUR DEALER FOR FURTHER DETAILS.

AGILIS 400C SPECIFICATIONS

MODELS

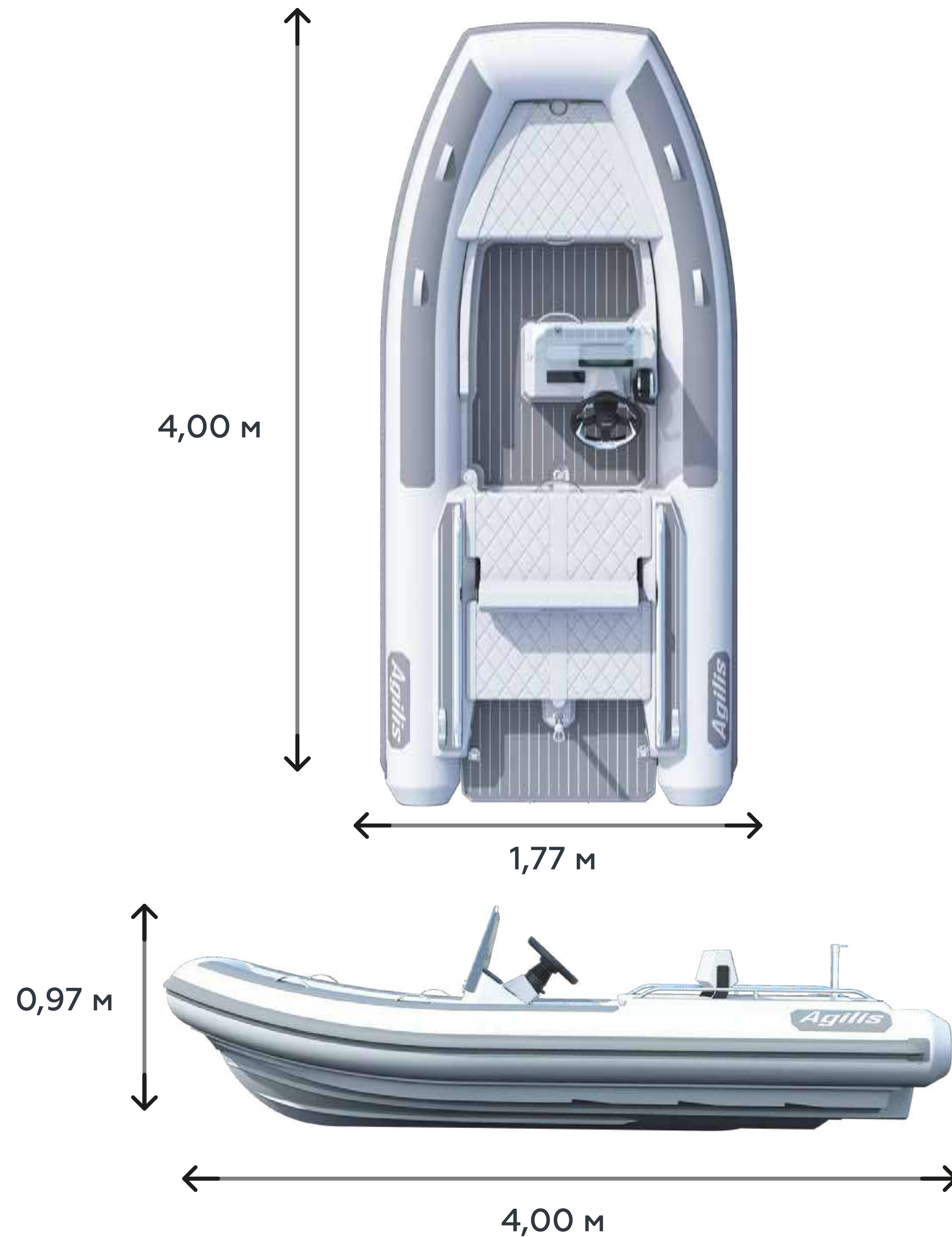
Agilis
JET TENDERS

SPECS

	903cc engine
LOA	4,00 m
BEAM	1,77 m
HEIGHT	0,97* m/1,30 m
DRY WEIGHT	424 kg
CAPACITY	7 persons
PERFORMANCE	90 HP/66 KW
TOP SPEED	35 knots (65 km/h)
FUEL TANK	60 L

*with folded windshield

MORE DETAILS
ON WEBSITE



Agilis
JET TENDERS



400D

AGILIS 400D

FITS 65-FOOT OR LONGER YACHTS,
DESIGNED TO CARRY UP TO 7 PASSENGERS

AGILIS 400D



MODELS

Agilis

JET TENDERS



SIZE AND PASSENGERS

With a length of 4 meters, Agilis 400D can accommodate 7 people. Besides, every passenger will have marvelous, comfortable and luxurious journey.

DIESEL ENGINE FOR MORE PERFORMANCE

The 110 hp diesel engine offers more freedom and flexibility, inasmuch as there is no necessity to carry additional petrol thanks to 60-liter fuel tank and optimum fuel economy. Diesel fuel is enough for many trips; thus, you can enjoy your time on water without constantly looking to refuel. The engine works quietly for passengers can relax to music or the sound of the sea.

WATERSPORT

Agilis 400D can be used for watersport activities since it is equipped with a ski pole. Thanks to it, towing becomes greatly improved and more comfortable.

AGILIS 400D



MODELS

Agilis
JET TENDERS



LIMITLESS CUSTOMIZATION

As each other Agilis jet tender, 400D model can be fully customized from hull to name. A client can choose different colors of Hypalon, textures of upholstery, lighting system and pick up useful devices and accessories. An opportunity to name your tender is the cherry on top.

MANEUVERABILITY

Equipped with a jet drive, Agilis 400D shows the remarkable results in maneuverability. The boat sails smoothly, turns easily and parks effortlessly. It's excellent weight distribution and shallow draft make steering the tender a pure handling pleasure.



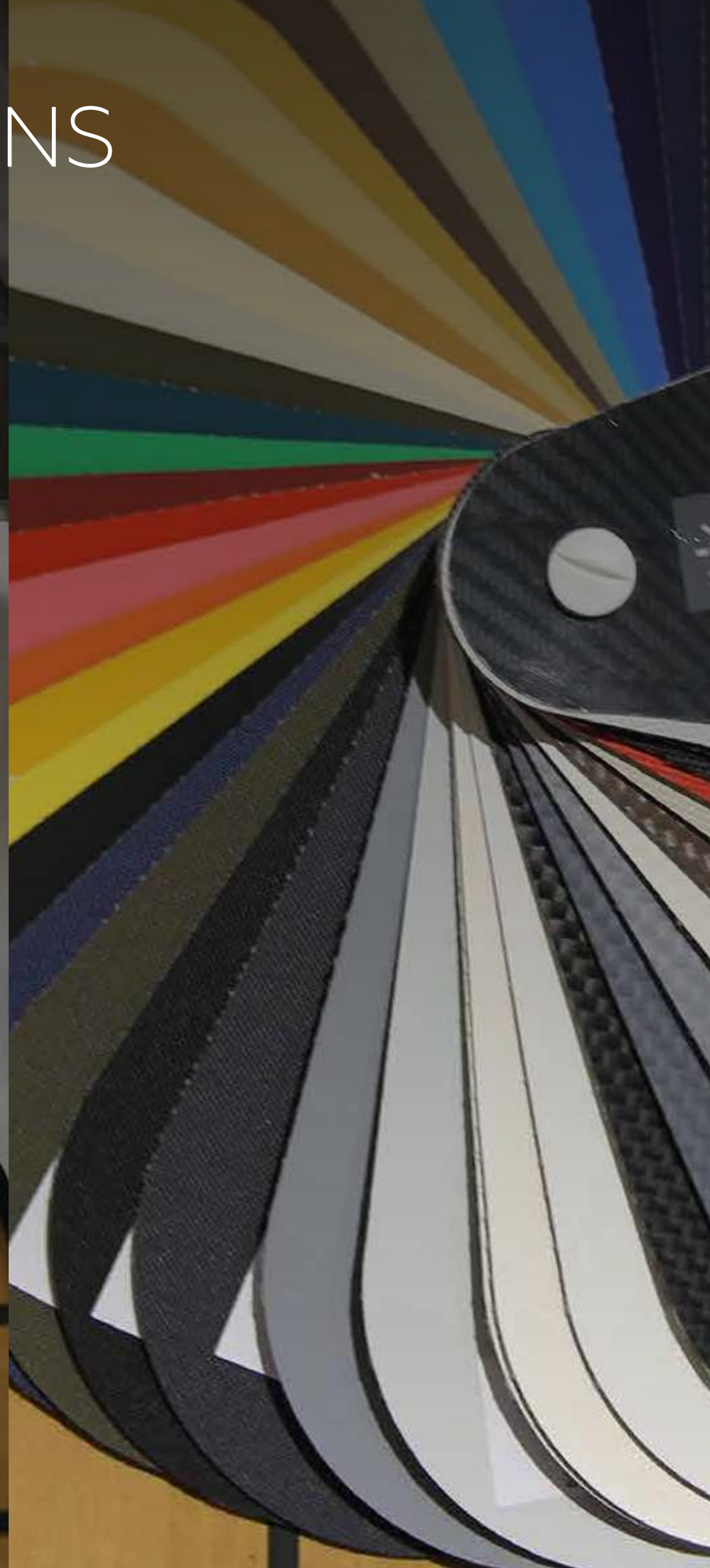
AGILIS 400D BESPOKE OPTIONS



RAYMARINE AXIOM 7
CHARTPLOTTER



LED DECK
LIGHT



CUSTOM COLOURS &
MATERIALS



FRONT CUSHION
EXTENSION



FLEX TEAK
2G FINISHING

Agilis
JET TENDERS

*MORE OPTIONS ARE AVAILABLE. PLEASE CONTACT YOUR DEALER FOR FURTHER DETAILS.

AGILIS 400D SPECIFICATIONS

MODELS

Agilis
JET TENDERS

SPECS

	FNM Diesel 1395cc
LOA	4,00 m
BEAM	1,77 m
HEIGHT	1,10* m/1,42 m
DRY WEIGHT	655 kg
CAPACITY	7 persons
PERFORMANCE	110 HP/81 KW
TOP SPEED	35 knots (65 km/h)
FUEL TANK	60 L

*with folded windshield

MORE DETAILS
ON WEBSITE



4,00 m

1,77 m



1,10 m

4,00 m



500D



AGILIS 500D

THE 500D ISN'T JUST ABOUT
POWER AND SPACE, IT'S ALSO ABOUT
SMART DESIGN

AGILIS 500D



MODELS

Agilis
JET TENDERS



ADVANCED ENGINE TECHNOLOGY

At the heart of the 500D lies the advanced Mercury 2.0L diesel engine. Known for its efficiency and durability, this engine provides smooth and powerful performance, ensuring that your tender is ready for any adventure. Depend on the 500D for reliable and efficient operation every time.

SPACIOUS SEATING FOR EVERYONE

The 500D is designed to comfortably accommodate up to 8+1 persons. This generous capacity ensures that you can bring family and friends along for the ride without compromising on comfort. Enjoy shared moments on the water with those who matter most.

AGILIS 500D



MODELS

Agilis
JET TENDERS



INNOVATIVE DESIGN FEATURES

The 500D isn't just about power and space; it's also about smart design. The D-shaped tubes and flat folding door are perfect examples of Agilis' commitment to combining functionality with style. Every feature is thoughtfully integrated to enhance your on-water experience.

COMFORT AND CONVENIENCE

Enjoy the ultimate in comfort and convenience with the Agilis 500D. The extra interior space provided by the D-shaped tubes means more room to move, relax, and store your gear. Whether you're on a short transfer or a longer drive, the 500D makes every moment on the water more enjoyable.



AGILIS 500D BESPOKE OPTIONS

MODELS

Agilis
JET TENDERS



BIMINI



RAYMARINE
AXIOM 9



WOODTEAK



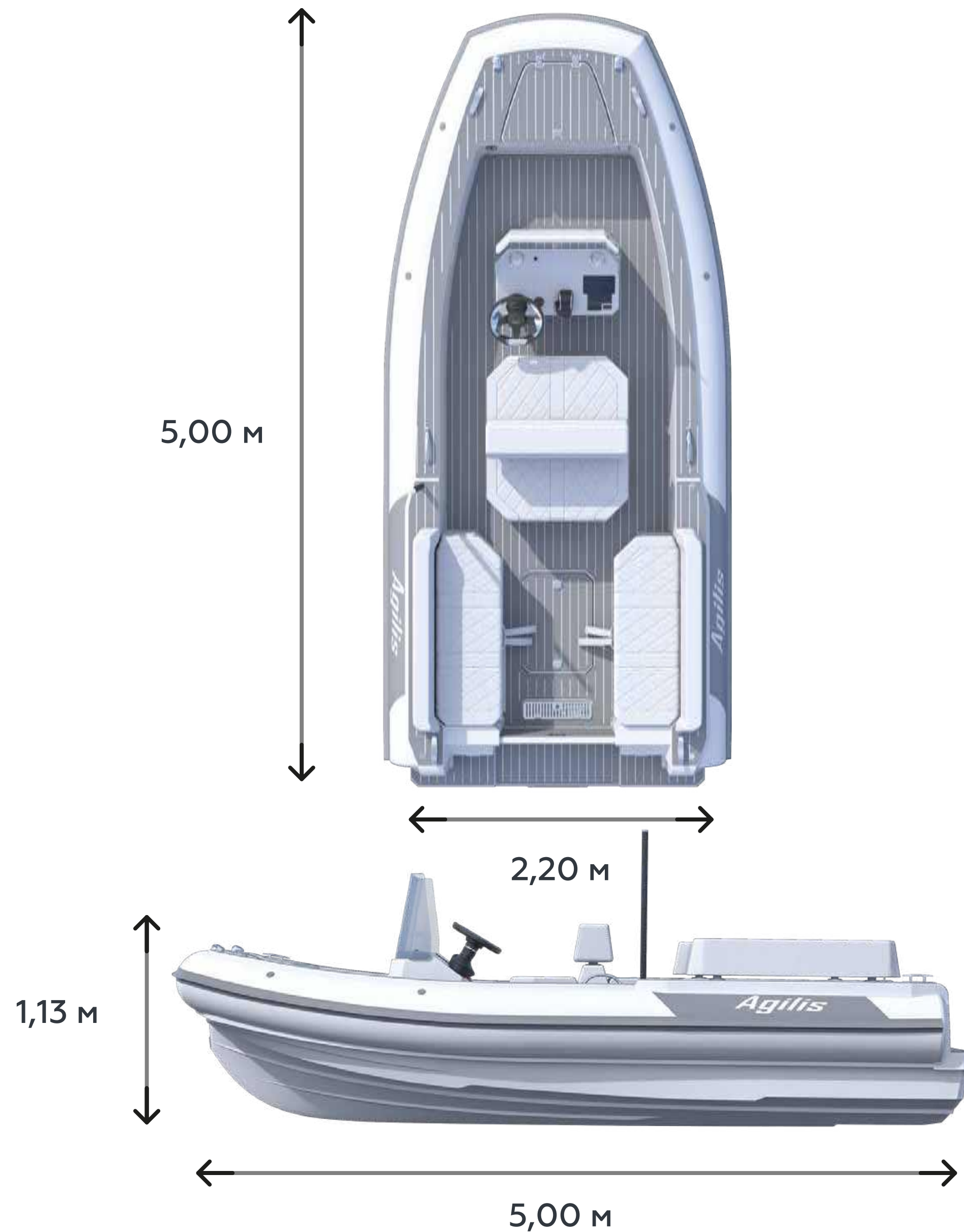
FUSION
MS-RA670



OCEAN
LED

*MORE OPTIONS ARE AVAILABLE. PLEASE CONTACT YOUR DEALER FOR FURTHER DETAILS.

AGILIS 500D SPECIFICATIONS



MODELS

Agilis
JET TENDERS

SPECS

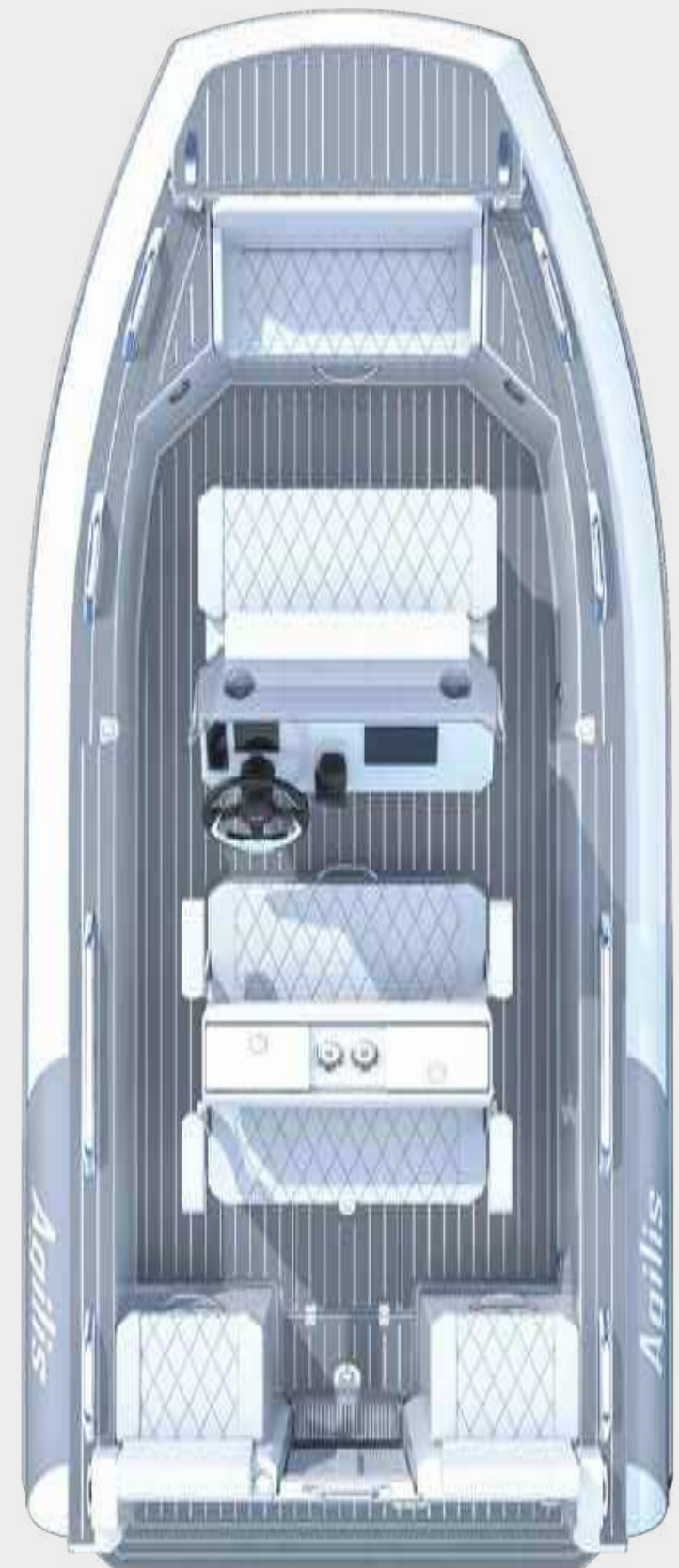
	Mercury Diesel 2.0L
LOA	5,00 m
BEAM	2,20 m
HEIGHT	1,13* m / 1,58 m
DRY WEIGHT	1000 kg
CAPACITY	8+1 persons
PERFORMANCE	150 HP/110 KW
TOP SPEED	35 knots (66 km/h)
FUEL TANK	70 L

*with folded windshield

MORE DETAILS
ON WEBSITE



Agilis
JET TENDERS



560D



AGILIS 560D

THE MOST LUXURY YACHT TENDER,
DESIGNED TO CARRY UP TO 10 PASSENGERS

AGILIS 560D



MODELS

Agilis
JET TENDERS

COMFORT RELIABILITY

If you summed up all the features and advantages of the Agilis 560D in one word, that word would be comfort. Whether it's the one-lever-for-all single drive unit, the Bimini top doubling as a sunshade, the spray dodger ensuring dryness for all; no matter the conditions, the whisper-quiet; powerful engine, the ample space for passengers or the tons of storage – every trip on the Agilis 560D is sure to be in comfort and style. And a 55-liter freshwater tank for showers on the go or rinsing off sandy feet eliminates unwanted stopovers between fun in the sun and a relaxed visit to a favorite beachside restaurant. The experience you have on your luxury 10 persons tender should reflect the comfort you are accustomed to on your superyacht.

DASHBOARD & SAFETY

The cockpit on the Agilis 560D is kept really sleek with a streamlined dashboard for seamless control of NMEA connected sources from a single multi-functional display. Superior marine equipment meets award-winning audio innovation in a compact form factor.



AGILIS 560D



MODELS

Agilis
JET TENDERS

CUSTOMIZATION

It all starts with a name. So, it seemed fitting that you should have the option to name your "tender to" its registered mother ship with the Agilis 560D T/T (embroidery available in any color you like). Literally from bow to stern, starboard to port, Bimini top to aluminum hull - with over 100 million color combinations and customization options, the world is your oyster when configuring the look and feel of your ship, that is tender to your ship. Of course, being fully customizable, we can design your tender to look identical to your yacht right down to the materials used, making the Agilis 560D truly a tender to behold.

ENGINE

There are two engine options for the Agilis 560D to better meet the needs of customers. Mercury Diesel 2.0L is compact and light without sacrificing power and performance. This 170-horsepower engine that can reach up to 36 knots packs a real punch. For more speed and performance you can choose 3.0L. This high-performance 270-horsepower engine offers substantial improvements in acceleration and top speed, it can accelerate up to 40 knots. Both engines have no issue taking you over long distances thanks to its 120-liter fuel tank and optimum fuel economy. Thanks to the uniquely developed exhaust and special motor mounts the engines work quietly, minimizing noise and vibration.



AGILIS 560D BESPOKE OPTIONS

MODELS

Agilis
JET TENDERS



BIMINI



RAYMARINE
AXIOM 9



WOODTEAK



FUSION
MS-RA670



OCEAN
LED

*MORE OPTIONS ARE AVAILABLE. PLEASE CONTACT YOUR DEALER FOR FURTHER DETAILS.

AGILIS 560D SPECIFICATIONS

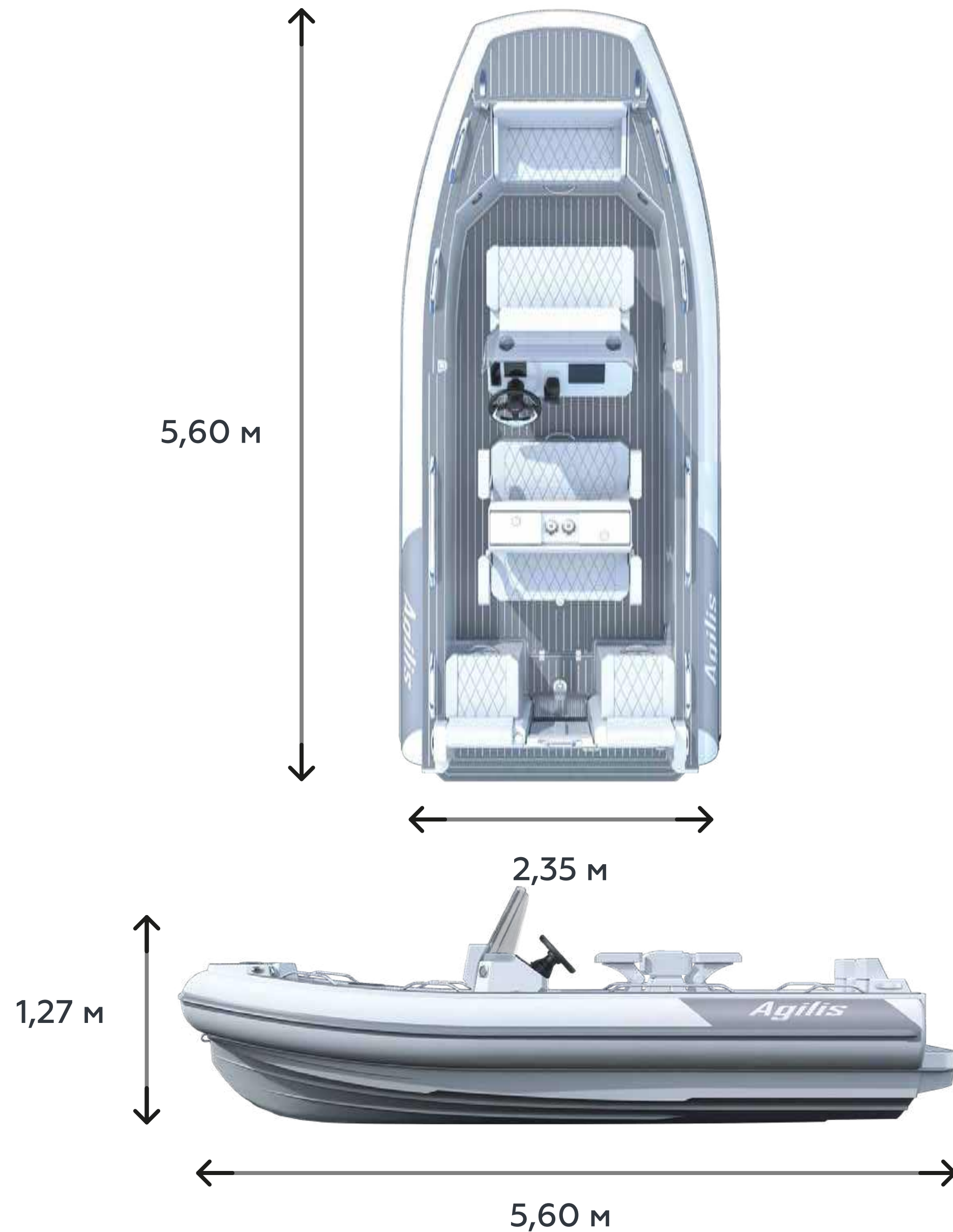
MODELS

Agilis
JET TENDERS

SPECS

	Mercury Diesel 2.0L	Mercury Diesel 3.0L
LOA	5,60 m	5,60 m
BEAM	2,35 m	2,35 m
HEIGHT	1,27* m / 1,73 m	1,27* m / 1,73 m
DRY WEIGHT	1070 kg	1185 kg
CAPACITY	10 persons	10 persons
PERFORMANCE	170 HP/125 KW	270 HP/198 KW
TOP SPEED	36 knots (67 km/h)	40 knots (74 km/h)
FUEL TANK	120 L	120 L

*with folded windshield



MORE DETAILS
ON WEBSITE



	280	305C	330C
ENGINE	903cc engine	903cc engine	903cc engine
LOA	2,80 m	3,05 m	3,30 m
BEAM	1,55 m	1,75 m	1,75 m
HEIGHT	0,80 m	0,87*/1,20 m	0,865*/1,20 m
DRY WEIGHT	215 kg	315 kg	330 kg
CAPACITY	3 persons	4 persons	4 persons
PERFORMANCE	60 HP/44 KW	90 HP/66 KW	90 HP/66 KW
TOP SPEED	35 knots (65 km/h)	37 knots (69 km/h)	37 knots (69 km/h)
FUEL TANK	30 L	42 L	55 L

*with folded windshield

	355C		360D
ENGINE	903cc engine	1630cc engine	FNM Diesel 1395cc
LOA	3,55 m	3,55 m	3,60 m
BEAM	1,85 m	1,85 m	1,85 m
HEIGHT	0,97*/1,30 m	0,97*/1,30 m	1,10*/1,265 m
DRY WEIGHT	390 kg	420 kg	580 kg
CAPACITY	6 persons	6 persons	6 persons
PERFORMANCE	90 HP/66 KW	130 HP/95 KW	110 HP/81 KW
TOP SPEED	39 knots (72 km/h)	46 knots (85 km/h)	35 knots (65 km/h)
FUEL TANK	55 L	55 L	65 L

*with folded windshield

	400C	400D	500D
ENGINE	903cc engine	FNM Diesel 1395cc	Mercury Diesel 2.0L
LOA	4,00 m	4,00 m	5,00 m
BEAM	1,77 m	1,77 m	2,20 m
HEIGHT	1,97*/1,30 m	1,10*/1,42 m	1,13*/1,58 m
DRY WEIGHT	424 kg	655 kg	1000 kg
CAPACITY	7 persons	7 persons	8+1 persons
PERFORMANCE	90 HP/66 KW	110 HP/81 KW	150 HP/110 KW
TOP SPEED	35 knots (65 km/h)	35 knots (65 km/h)	35 knots (66 km/h)
FUEL TANK	60 L	60 L	70 L

*with folded windshield

	560D	
ENGINE	Mercury Diesel 2.0L	Mercury Diesel 3.0L
LOA	5,60 m	5,60 m
BEAM	2,35 m	2,35 m
HEIGHT	1,27*/1,73 m	1,27*/1,73 m
DRY WEIGHT	1070 kg	1185 kg
CAPACITY	10 persons	10 persons
PERFORMANCE	170 HP/125 KW	270 HP/198 KW
TOP SPEED	36 knots (67 km/h)	40 knots (74 km/h)
FUEL TANK	120 L	120 L

*with folded windshield

Coming soon...

For the production of our products, we cooperate with highly specialized partner companies who, not for the first time, have proven the high level of excellence in their field.

ALAMARIN-JET
GO WITH THE FLOW

FLEXITEEK

LALIZAS 
LifeSaving



MARINE DIESEL ENGINES



As a family business, Agilis prides itself as being a young and dynamic company that has a personal connection to the product we produce. After gathering 10 years of experience in boat production, the founder Maxym Starchenko decided to create his own watercraft selling and repair company in 2008.

One day, while spending time on a yacht and using a jet tender and researching the market, Maxym found that not a single one met his requirements and needs. Not before long, in 2015, he started to assemble a team of specialists and started the development on the first model.

After developing the first prototype in 2017, the Agilis 355 was presented at a trade fair in Düsseldorf and became an instant success. Driven and inspired by the initial plaudits, Agilis set out to expand its product range in order to make their tenders available to a broader range of needs. Currently, 5 models have been put into production, with 1 more model being in development.

Key dates:

2015 – development started

2017 – the first prototype model came out

2018 – model 355C presented

2018 – model 305C presented

2019 – model 330C presented

2020 – model 280 presented

2021 – models 560D and 360D presented

2022 – models 400C and 460D developed and available for pre-order

2023 – model 460D is in development

2024 – model 500D developed and available for pre-order

To be continued...

ABOUT AGILIS

MODELS

Agilis
JET TENDERS



STARCHENKO MAXYM, OWNER

"I remember vividly, when my father took me to a marina for the first time. The elegance of the boats I saw back then has been an inspiration to me since that day and I try to capture that inspiration in every single one of our tenders."

"One often notices that a yacht reflects part of the owner's personality, so naturally the tender on your yacht should be able to serve the same purpose. That is why we put so much focus on enabling our customers to really make their Agilis jet tender their own by providing them with countless customization options."



AGILIS CONTACTS



Agilis
JET TENDERS

Lohfeldstr. 2
52428 Jülich
Germany
+49 (0) 2461 340 333 0
info@agilis-jettenders.com